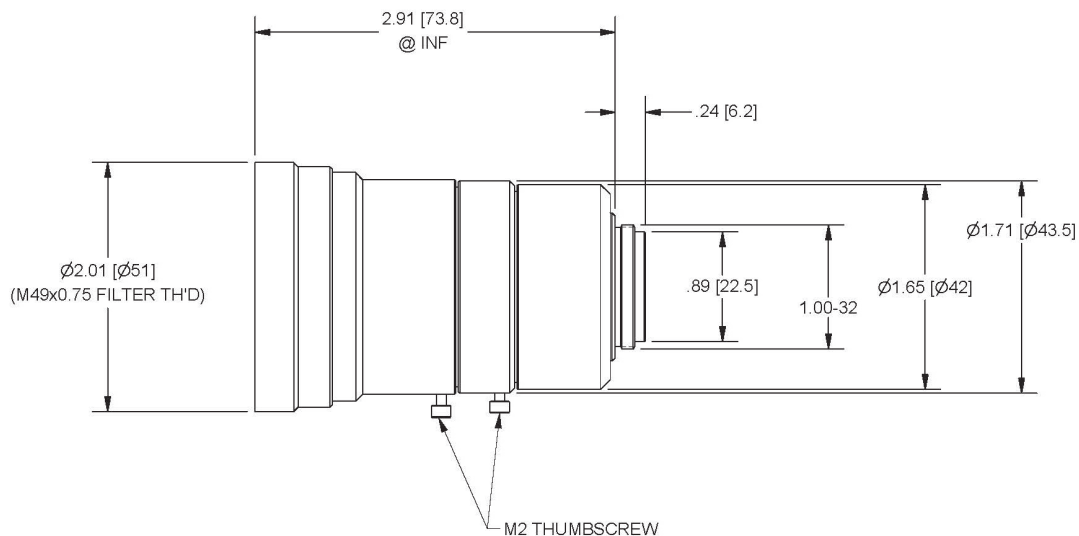
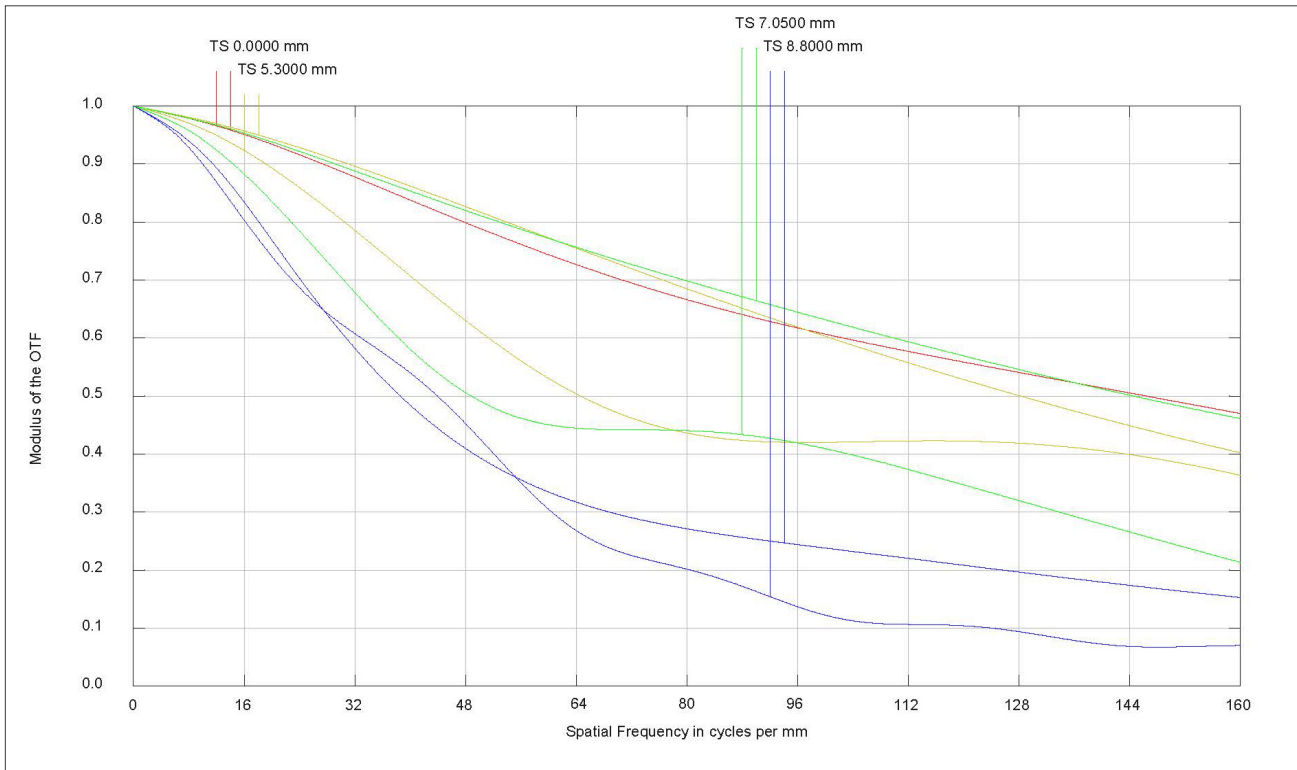


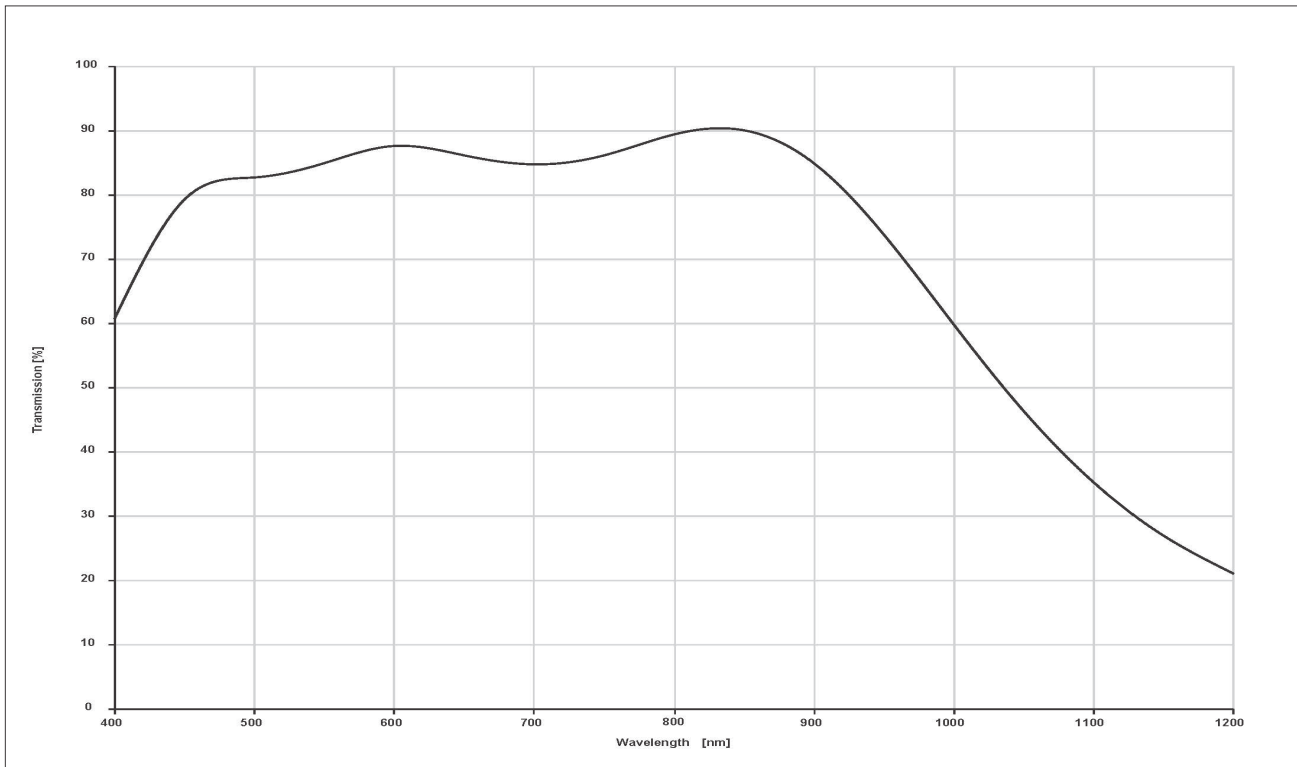
Specifications		1.1"
Focal Length		12mm
Image Range		F/1.8 - 16
Image Size		14.1 x 10.6 (Ø17.6)
Field Angle H x V (Diagonal)	1.1"	60.0° x 46.9° (71.0°)
	1"	55.3° x 42.9° (66.2°)
	2/3"	39.6° x 30.1° (48.5°)
TV Distortion		0.26%
FOV at MOD (mm) H x V (Diagonal)	1.1"	135 x 101 (168)
	1"	123 x 92 (153)
	2/3"	84 x 63 (105)
Minimum Focus Distance		0.1m
Flange Focus		17.526mm in air
Back Focus		14.5mm in air
Filter Screw Size		M49x0.75
Clear Aperture - Front / Rear		Ø36.8mm / Ø17.0mm
Mount		C-Mount
Exit Pupil		-118.2mm
Temperature Range		- 10 ~ + 50° C
Storage Temperature Range		- 20 ~ + 60° C
Resolution - Center / Corner		160 lp/mm / 100 lp/mm
Weight		260g



MTF



Transmission



For information on our full line of NMV machine vision lenses please visit <https://www.navitar.com/NMV/>