

MVL-KF3528M-12MPE

1.1" 35mm 12MP FA LENS

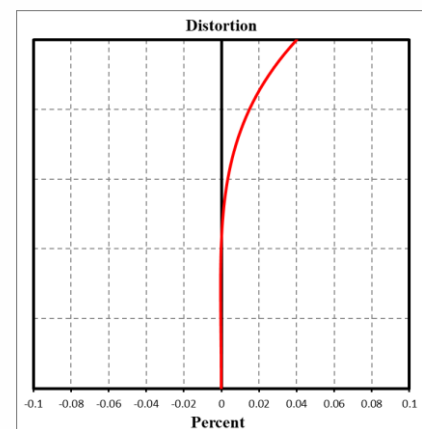
KF-E series FA Lens are optimized for machine vision light sources and sensor, with high resolution, excellent image quality, high transmittance and good stability. Featured with fixed focal length, manual aperture and compact size, it is suitable for machine vision industry applications and ideal for industrial cameras.



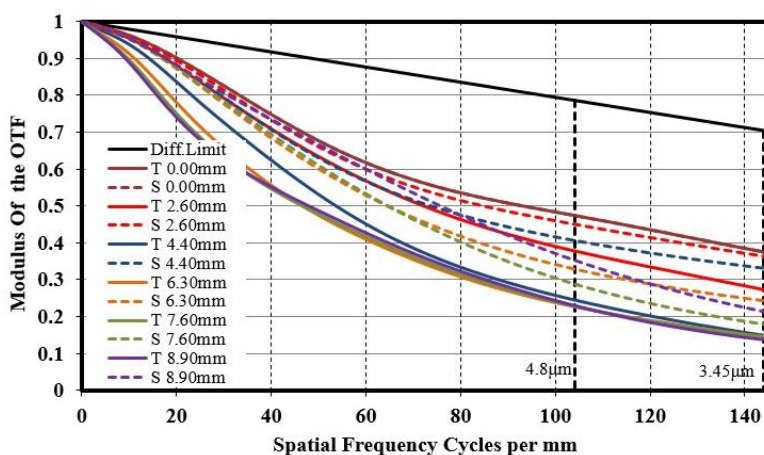
Key Features

- Ultra high resolution and consistency of image clarity
- Lower distortion
- Super high image peripheral brightness ratio
- Excellent optical properties are maintained at different object distances

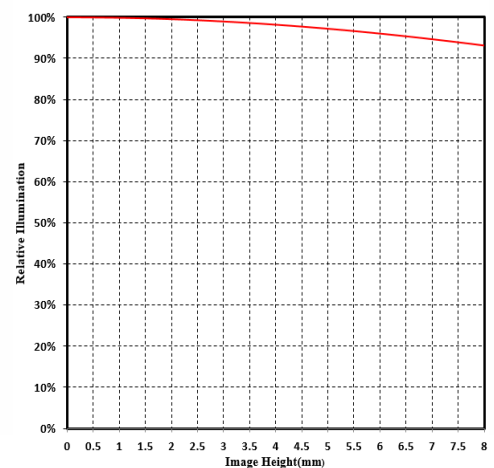
Distortion



MTF



Relative Illumination



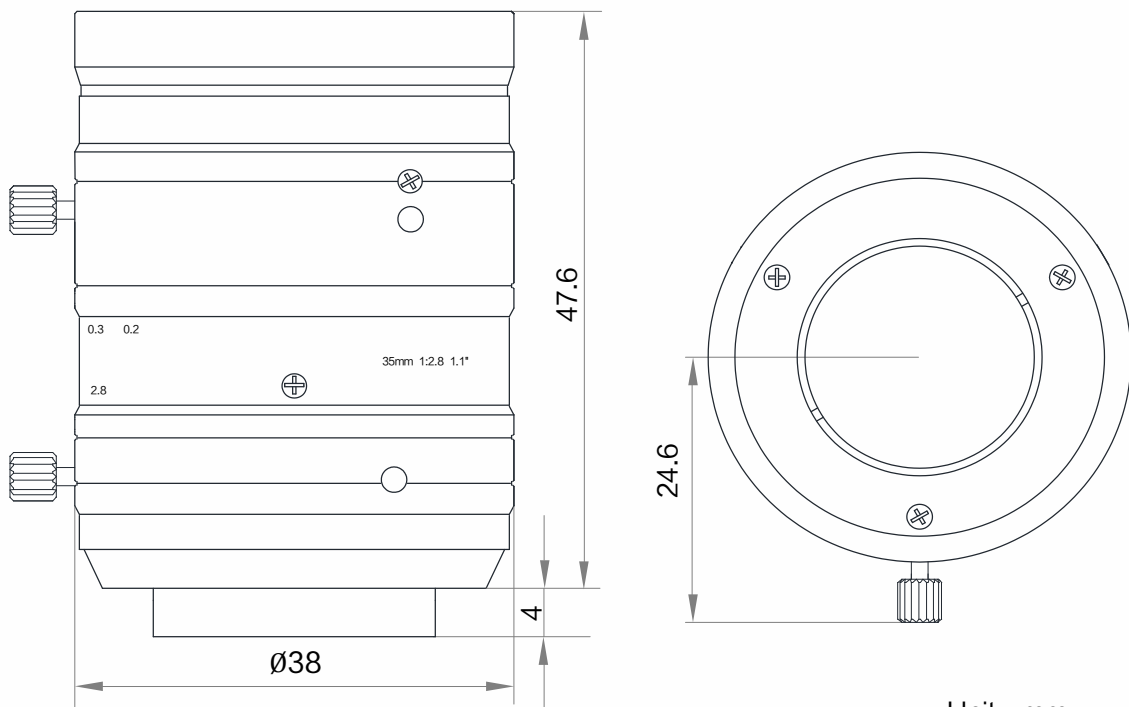
Note: The above curves are the simulate results based on F2.8, $\beta=-0.069$, WD=500 mm.



Specification

Model	MVL-KF3528M-12MPE
Parameter	Fixed focal length, Manual iris, 12MP, FA lens
Performance	
Focal Length	35 mm
F-Number	F2.8 ~ F22
Image Size	Φ17.6 mm(1.1")
Distortion	0.02%
Minimum Operation Distance	0.2 m
Field of View	D (17.52mm) : 28.3° H (14.14mm) : 22.6° V (10.35mm) : 17°
Mechanical	
Iris Control	Manual
Focus Control	Manual
Filter Thread	M35.5 × 0.5
Mount	C-Mount
Flange Back Length	17.526 mm
Dimension	Φ38 × 47.6 mm
Weight	107 g
Temperature	-10 ~ 50°C
General	
Certification	RoHS2.0

Dimension



Unit: mm

Field of View

Extension (mm)	Working Distance(mm)		Magnificat ion	Field of View(mm)					
				1.1'' (14.14mm × 10.35mm)		1'' (12.45mm × 9.83mm)		2/3'' (8.45mm × 7.07mm)	
				H	V	H	V	H	V
10	near	81.14	-0.466	30.30	22.19	27.40	20.98	18.90	14.18
	far	83.12	-0.454	31.10	22.78	28.20	21.59	19.40	14.55
5	near	114.09	-0.324	43.60	31.90	39.50	30.24	27.10	20.33
	far	118.78	-0.310	45.50	33.32	41.20	32.54	28.30	21.23
2	near	152.72	-0.239	59.20	43.36	53.60	41.00	36.90	27.68
	far	161.65	-0.225	62.80	46.00	56.90	43.56	39.10	29.33
1	near	172.52	-0.210	67.20	49.22	60.90	46.62	41.90	31.43
	far	184.39	-0.196	72.00	52.73	65.20	49.92	44.80	33.60
0		200	-0.180	78.71	57.62	69.17	54.61	46.94	39.28
		250	-0.144	98.39	72.02	86.46	68.26	58.68	49.10
		300	-0.119	119.06	87.15	104.62	82.61	71.01	59.41
		350	-0.100	141.68	103.71	124.50	98.30	84.50	70.70
		400	-0.088	161.00	117.85	141.48	111.70	96.02	80.34
		450	-0.078	181.64	132.96	159.62	126.03	108.33	90.64
		500	-0.069	205.34	150.30	180.43	142.46	122.46	102.46
		550	-0.064	221.38	162.04	194.53	153.59	132.03	110.47
		600	-0.058	244.28	178.81	214.66	169.48	145.69	121.90
		650	-0.053	267.33	195.67	234.91	185.47	159.43	133.40
		700	-0.050	283.37	207.41	249.00	196.60	169.00	141.40
		800	-0.043	329.49	241.18	289.53	228.60	196.51	164.42
		900	-0.038	372.85	272.91	327.63	258.68	222.37	186.05
	1000	-0.034	416.71	305.02	366.18	289.12	248.53	207.94	

HIKROBOT

Hangzhou Hikrobot Technology Co., Ltd.
No.399 Danfeng Road, Binjiang District, Hangzhou 310051, China.
en.hikrobotics.com

Copyright Hikrobot

Hangzhou Hikrobot Technology Co., Ltd. All Rights Reserved. Hangzhou Hikrobot Technology does not tolerate any infringement. Any organization or individual may not imitate or reproduce in whole or in part of the content. The data herein is based on Hikrobot's internal evaluation. Actual data may vary depending on specific configuration and operating condition. The information herein is subject to change without notice. All the content has been checked conscientiously. Nevertheless, Hikrobot shall not be liable to damages resulting from errors, inconsistencies or omissions.