

MVL-KF3524M-25MP
1.2" 35mm 25MP FA LENS

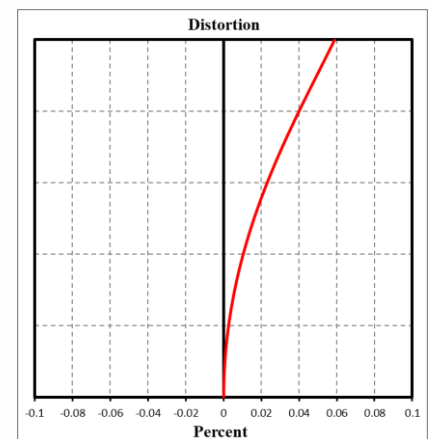
KF-P series FA Lens are optimized for machine vision light sources and sensors, with high resolution, excellent image uniformity, high transmittance and good stability. Featured with fixed focal length, manual aperture and compact size, it is suitable for machine vision industry applications.



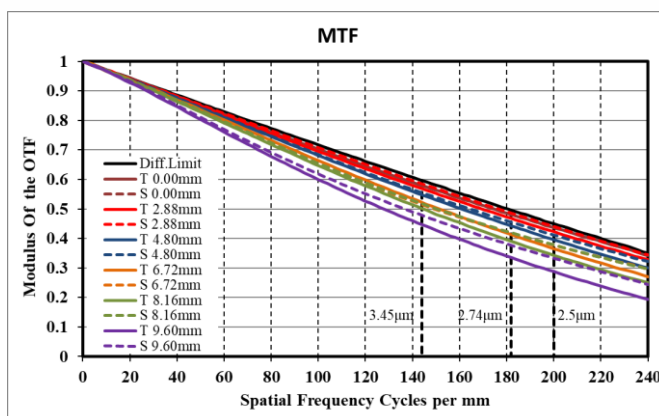
Key Features

- Ultra high resolution and consistency of image clarity
- 1.2" image Format, bigger aperture, lower distortion, Higher illumination relative
- Achromatic optical system design, Better imaging performance with color camera
- Maintain excellent optical properties at different object distances
- Excellent vibration resistance and stability at high and low temperature performance, optical axis shifting within pixel level
- Multilayer and broadband coating design, compatible with visible and near infrared applications

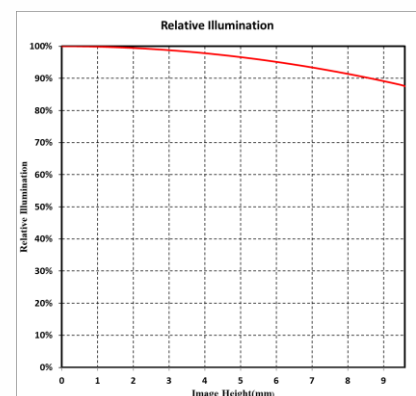
Distortion



MTF



Relative Illumination



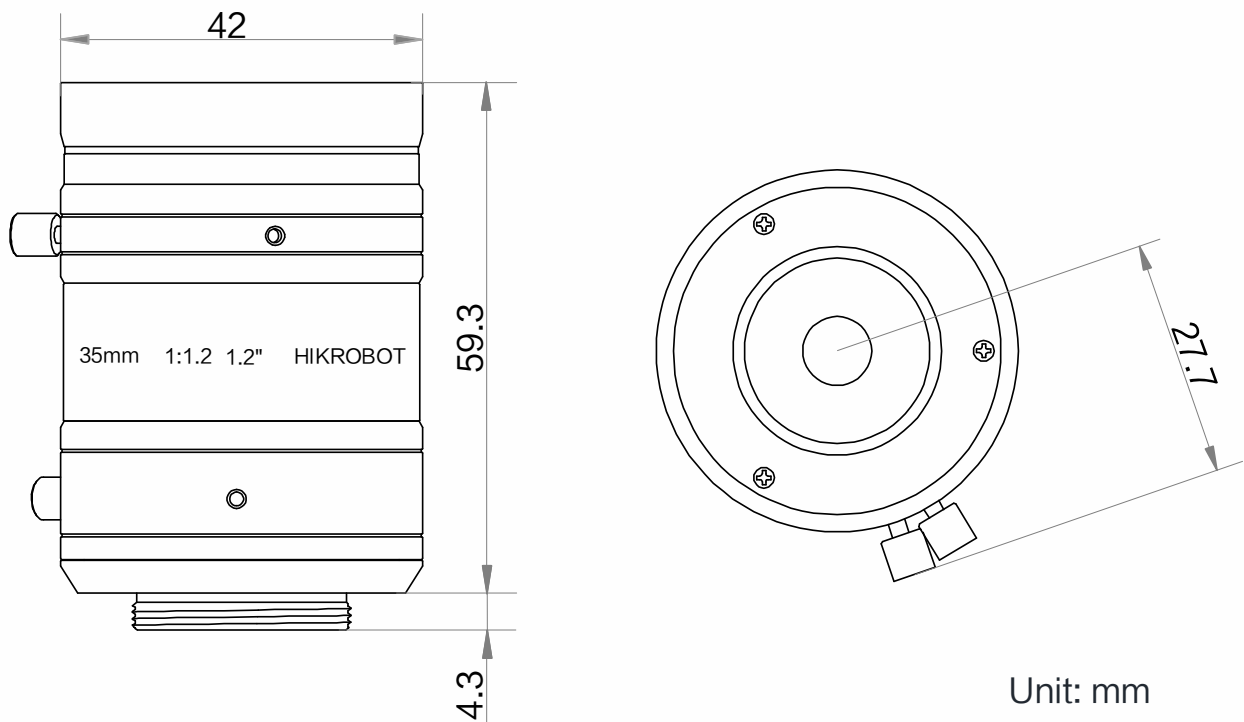
Note: The above curves are the simulate results based on F4, $\beta=-0.087$, WD=400 mm



Specification

Model	MVL-KF3524M-25MP
Parameter	Fixed focal length, Manual iris, 25MP, FA Lens
Performance	
Focal Length	35 mm
F-Number	F2.4 ~ F16
Image Size	Φ19.3 mm(1.2")
Distortion	0.02%
Minimum Operation Distance	0.15 m
Field of View	D (19.30mm) : 29.48° H (14.60mm) : 22.51° V (12.63mm) : 19.54°
Mechanical	
Iris Control	Manual
Focus Control	Manual
Filter Thread	M40.5×0.5
Mount	C-Mount
Flange Back Length	17.526 mm
Dimension	Φ42×59.3 mm
Weight	174 g
Temperature	-10 ~ 50°C
General	
Certification	RoHS2.0

Dimension



Unit: mm

Field of View

Extension (mm)	Working Distance (mm)		Magnification	Field of View (mm)					
				1.2"		1.1"		2/3"	
				H(14.6mm)	V(12.63mm)	H(14.14mm)	V(10.35mm)	H(8.45mm)	V(7.07mm)
10	near	66.48	-0.523	13.55	16.20	19.86	27.21	24.27	28.10
	far	104.56	-0.326	21.72	25.97	31.84	43.58	38.89	45.01
5	near	91.94	-0.376	18.82	22.51	27.59	37.75	33.70	38.99
	far	187.59	-0.185	38.24	45.71	56.01	76.60	68.39	79.11
2	near	119.67	-0.288	24.57	29.37	35.99	49.23	43.95	50.84
	far	349.21	-0.101	70.38	84.12	103.05	140.82	125.76	145.40
1	near	133.10	-0.259	27.35	32.69	40.06	54.78	48.91	56.57
	far	487.04	-0.072	97.79	116.87	143.15	195.56	174.68	201.92
0		150	-0.229	63.78	55.15	61.76	45.18	36.87	30.85
		200	-0.172	84.82	73.36	82.15	60.11	49.07	41.05
		250	-0.138	105.58	91.33	102.25	74.84	61.09	51.11
		300	-0.116	126.19	109.17	122.22	89.46	73.04	61.11
		350	-0.100	146.72	126.93	142.10	104.02	84.93	71.06
		400	-0.087	167.20	144.65	161.93	118.55	96.79	80.99
		450	-0.078	187.64	162.34	181.73	133.05	108.63	90.90
		500	-0.070	208.05	180.00	201.50	147.53	120.46	100.79
		550	-0.064	228.44	197.65	221.25	162.00	132.27	110.68
		600	-0.059	248.82	215.28	240.99	176.45	144.07	120.55
		650	-0.054	269.19	232.90	260.72	190.89	155.87	130.43
		700	-0.050	289.54	250.52	280.43	205.34	167.66	140.29
		800	-0.044	330.24	285.73	319.85	234.20	191.24	160.02
		900	-0.039	370.92	320.93	359.25	263.05	214.80	179.74
	1000	-0.035	411.58	356.12	398.63	291.90	238.35	199.45	