

MVL-KF1628M-12MPE

1.1" 16mm 12MP FA LENS

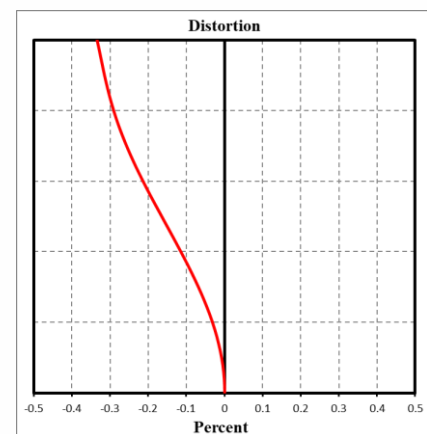
KF-E series FA Lens are optimized for machine vision light sources and sensor, with high resolution, excellent image quality, high transmittance and good stability. Featured with fixed focal length, manual aperture and compact size, it is suitable for machine vision industry applications and ideal for industrial cameras.



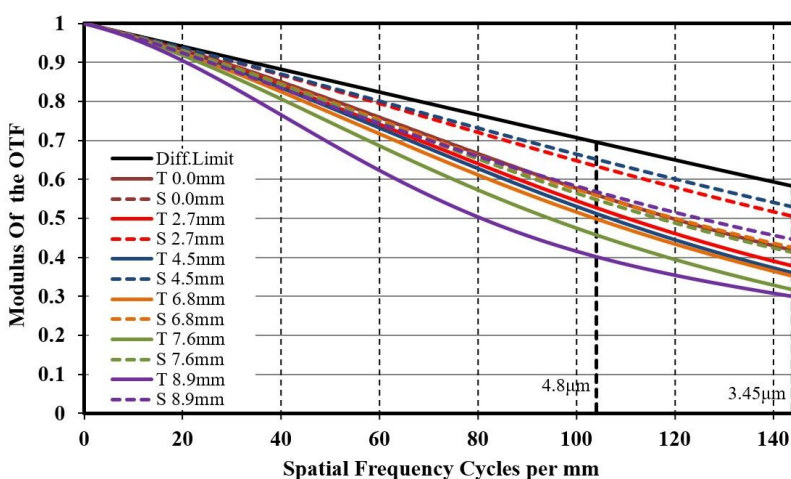
Key Features

- Ultra high resolution and consistency of image clarity
- Lower distortion
- Super high image peripheral brightness ratio
- Excellent optical properties are maintained at different object distances

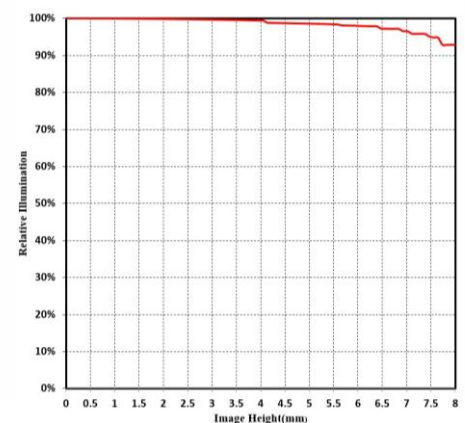
Distortion



MTF



Relative Illumination



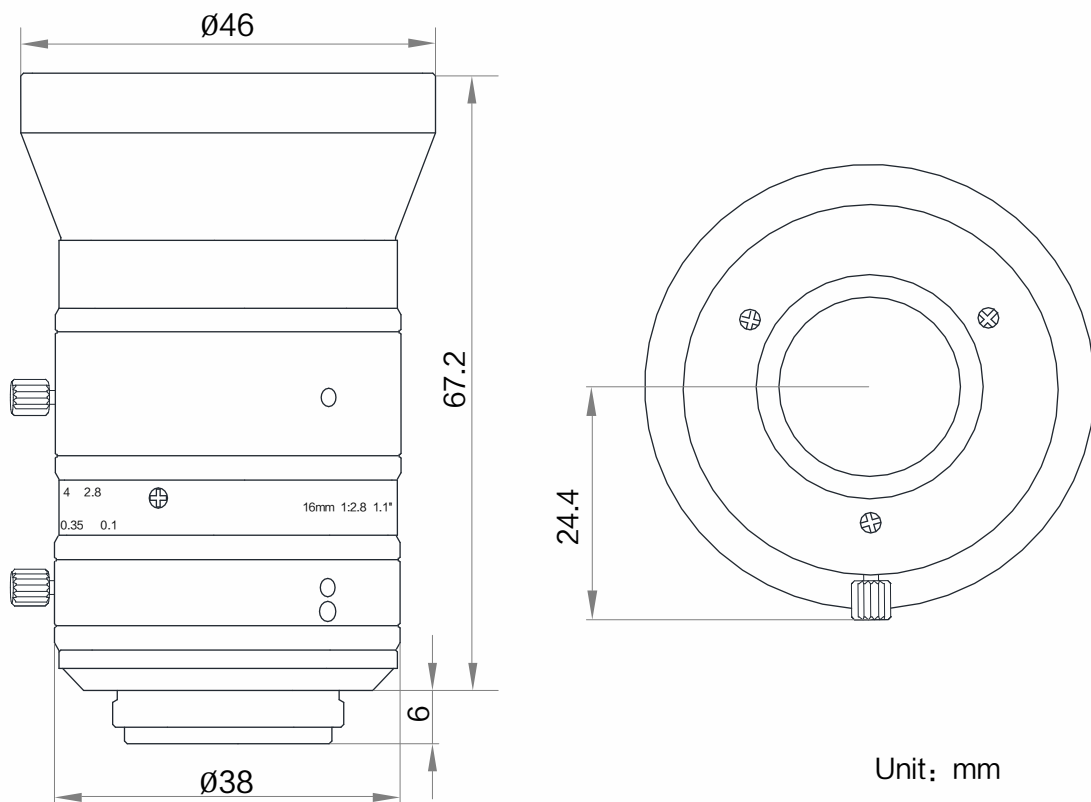
Note: The above curves are the simulate results based on F2.8, $\beta = -0.031$, WD=500 mm.



Specification

Model	MVL-KF1628M-12MPE
Parameter	Fixed focal length, Manual iris, 12MP, FA lens
Performance	
Focal Length	16 mm
F-Number	F2.8 ~ F16
Image Size	Φ17.6 mm(1.1")
Distortion	0.15%
Minimum Operation Distance	0.1 m
Field of View	D (17.52mm) : 55.6° H (14.14mm) : 45.8° V (10.35mm) : 35.3°
Mechanical	
Iris Control	Manual
Focus Control	Manual
Filter Thread	M43 × 0.75
Mount	C-Mount
Flange Back Length	17.526 mm
Dimension	Φ46 × 67.2 mm
Weight	189 g
Temperature	-10 ~ 50°C
General	
Certification	RoHS2.0

Dimension



Field of View

Extension (mm)	Working Distance(mm)		Magnification	Field of View(mm)					
				1.1'' (14.14mm×10.35mm)		1'' (12.45mm×9.83mm)		2/3'' (8.45mm×7.07mm)	
				H	V	H	V	H	V
5	near	15.02	-0.441	32.00	23.43	29.00	22.20	20.00	15.00
	far	16.15	-0.428	33.00	24.17	30.00	22.96	21.00	15.75
2	near	41.07	-0.257	55.00	40.28	50.00	38.28	34.00	25.50
	far	47.84	-0.231	61.00	44.68	55.00	42.10	38.00	28.50
1	near	60.30	-0.196	72.00	52.73	65.00	49.76	45.00	33.75
	far	73.91	-0.168	84.00	61.52	76.00	58.19	52.00	39.00
0		100	-0.134	105.52	77.24	92.91	73.36	63.06	52.76
		150	-0.095	149.63	109.52	131.75	104.02	89.42	74.81
		200	-0.073	193.96	141.98	170.78	134.84	115.91	96.98
		250	-0.059	239.66	175.42	211.02	166.61	143.22	119.83
		300	-0.050	282.80	207.00	249.00	196.60	169.00	141.40
		350	-0.044	321.36	235.23	282.95	223.41	192.05	160.68
		400	-0.039	361.64	264.71	318.41	251.41	216.11	180.82
		450	-0.035	405.16	296.56	356.73	281.66	242.12	202.58
		500	-0.031	456.13	333.87	401.61	317.10	272.58	228.06
		550	-0.029	490.97	359.38	432.29	341.32	293.40	245.49
		600	-0.026	535.61	392.05	471.59	372.35	320.08	267.80
		650	-0.024	579.51	424.18	510.25	402.87	346.31	289.75
		700	-0.023	622.91	455.95	548.46	433.04	372.25	311.45
		800	-0.020	707.00	517.50	622.50	491.50	422.50	353.50
	900	-0.018	794.38	581.46	699.44	552.25	474.72	397.19	
	1000	-0.016	883.75	646.88	778.13	614.38	528.13	441.88	

HIKROBOT

Hangzhou Hikrobot Technology Co., Ltd.

No.399 Danfeng Road, Binjiang District, Hangzhou 310051, China.

en.hikrobotics.com

Copyright Hikrobot

Hangzhou Hikrobot Technology Co., Ltd. All Rights Reserved. Hangzhou Hikrobot Technology does not tolerate any infringement. Any organization or individual may not imitate or reproduce in whole or in part of the content. The data herein is based on Hikrobot's internal evaluation. Actual data may vary depending on specific configuration and operating condition. The information herein is subject to change without notice All the content has been checked conscientiously. Nevertheless, Hikrobot shall not be liable to damages resulting from errors, inconsistencies or omissions.