

MVL-LF4028M-M42

APS-C 40mm Focal Length FA LENS

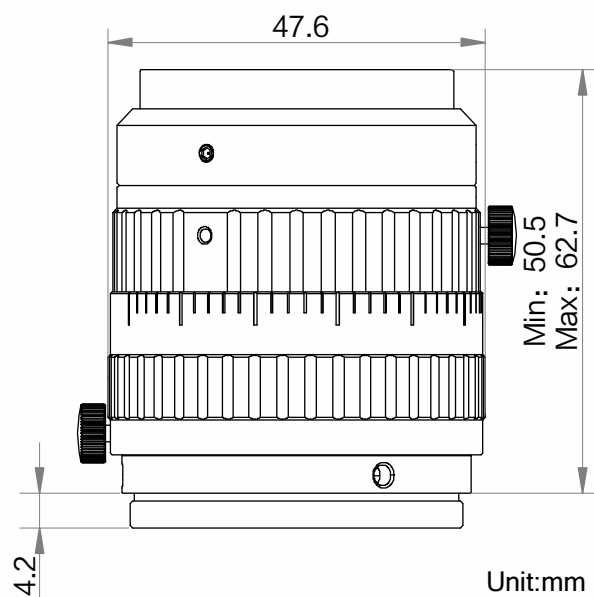
The APS-C fixed-focus lens are optimized for the application of large pixel line scan cameras in the machine vision industry, with excellent imaging quality, high image uniformity and low distortion design, magnification range from 0.04x to 0.22x. It is suitable for defect detection applications in PCB, packaging and printing industry.



Key Features

- Ultra-high resolution and consistency of image clarity
- Large aperture, low distortion, low chromatic aberration and high relative illumination
- Maximum image circle $\phi 37\text{mm}$, applicable to APS-C area scan and 4K line scan cameras

Dimension



Specification

Parameter	Model	MVL-LF4028M-M42
		Fixed focal length, Manual iris, APS-C lens
Performance		
Focal Length		40 mm
F-Number		F2.8 ~ F22
Image Size		Φ37 mm
Optical Distortion		0.62%
Magnification Range		0.22x ~ 0.04x
Working Distance Range		200 ~ 1051 mm
Mechanical		
Iris Control		Manual
Focus Control		Manual
Filter Thread		M37×0.75
Mount		M42×P1
Flange Back Length		12 mm
Dimension		Φ47.6 × 62.7 mm
Weight		171 g
Temperature		-10 ~ 50°C
General		
Certification		RoHS2.0

HIKROBOT

Hangzhou Hikrobot Technology Co., Ltd.

No.399 Danfeng Road, Binjiang District, Hangzhou 310051, China.

en.hikrobotics.com

Copyright Hikrobot

Hangzhou Hikrobot Technology Co., Ltd. All Rights Reserved. Hangzhou Hikrobot Technology does not tolerate any infringement. Any organization or individual may not imitate or reproduce in whole or in part of the content. The data herein is based on Hikrobot's internal evaluation. Actual data may vary depending on specific configuration and operating condition. The information herein is subject to change without notice. All the content has been checked conscientiously. Nevertheless, Hikrobot shall not be liable to damages resulting from errors, inconsistencies or omissions.